

4

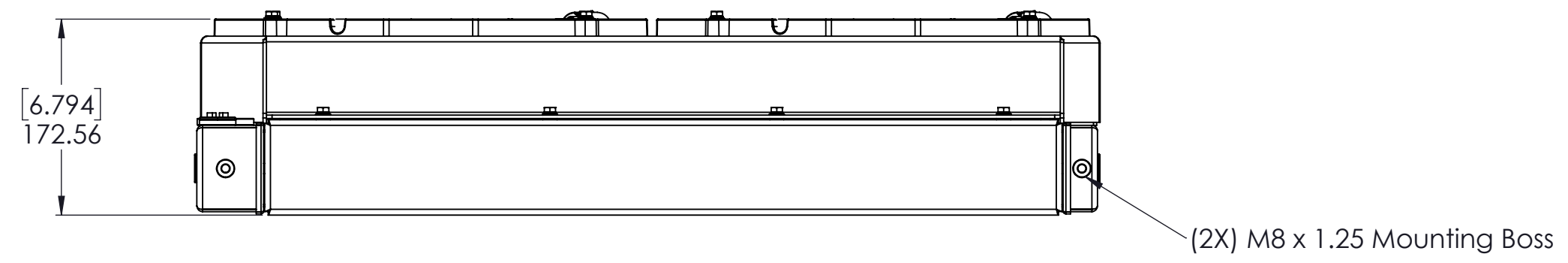
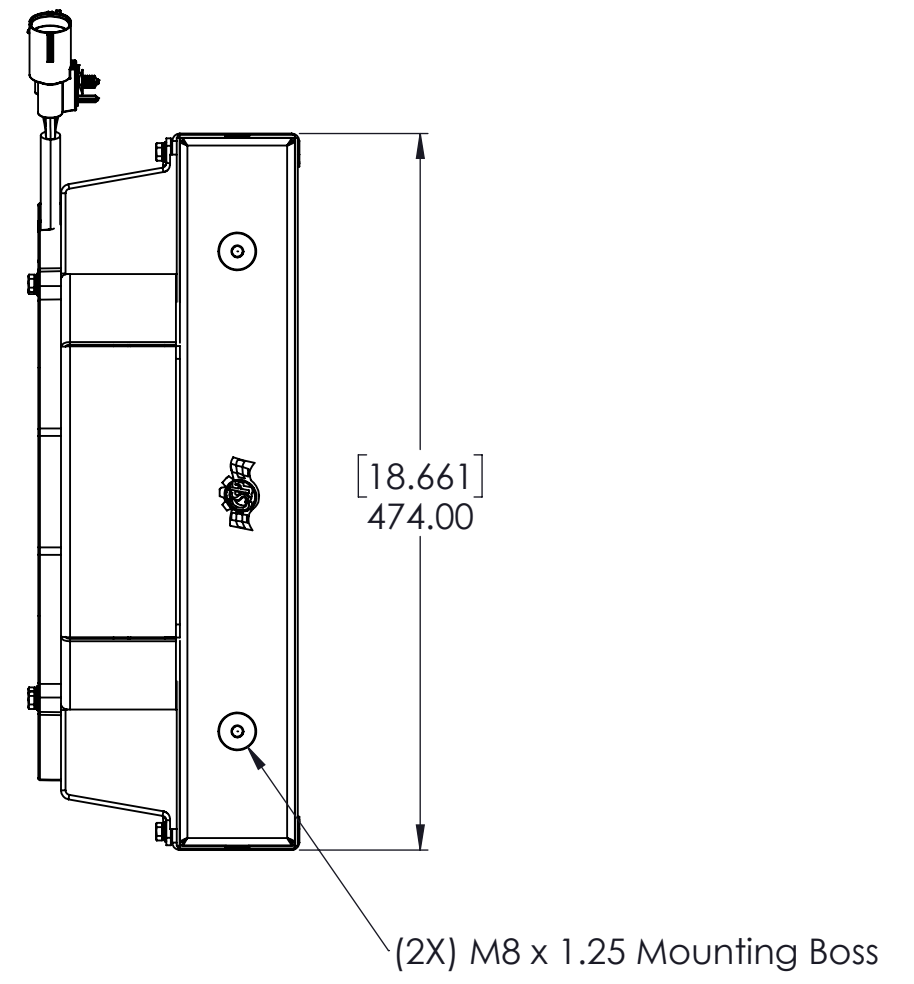
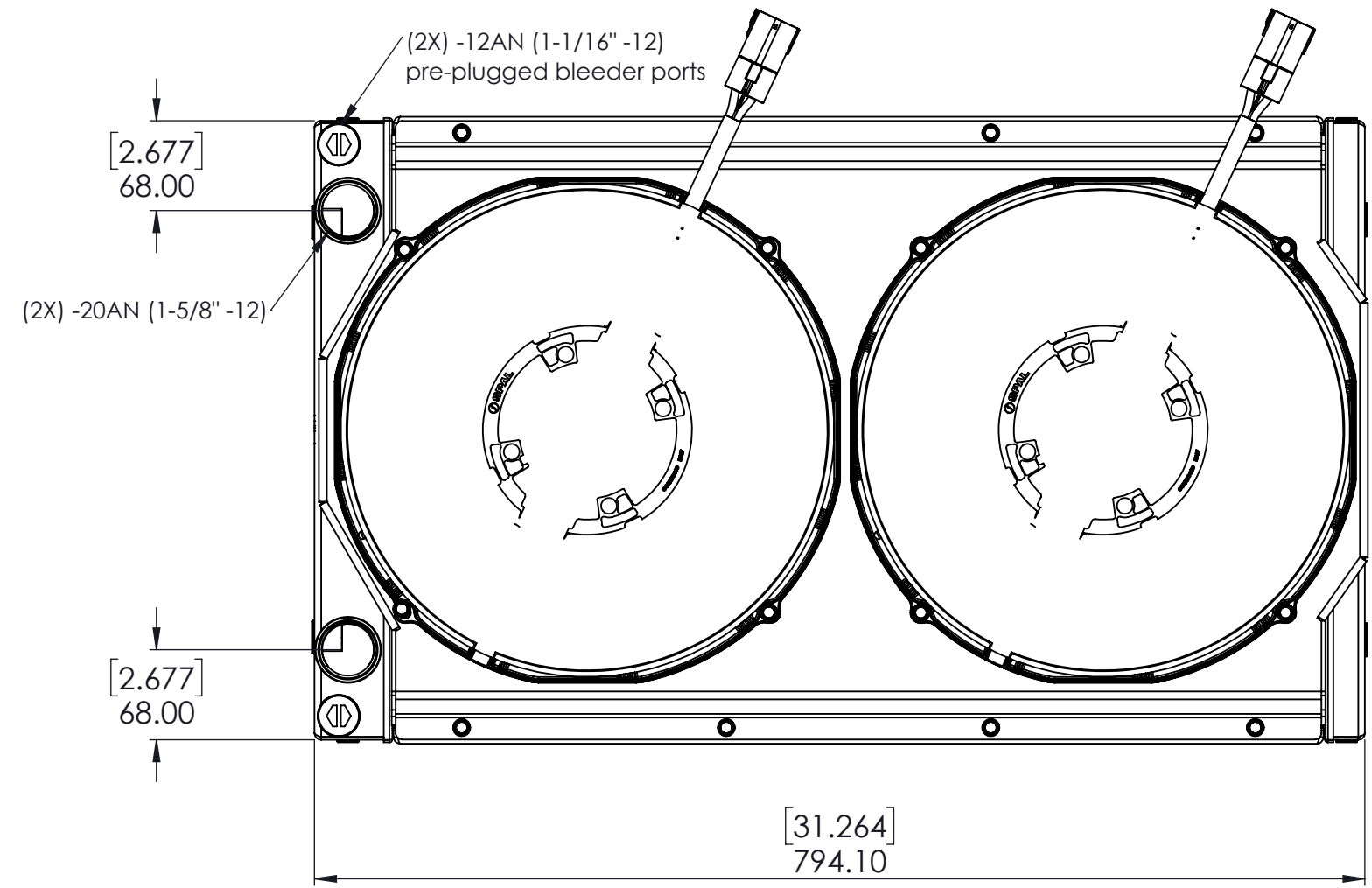
3

2

1

NOTES:

- Each end tank has a total of 4 mounting bosses.
- The fan shroud can be mounted on either side of the core using the provided hardware



4

3

2

1



PROPRIETARY AND CONFIDENTIAL
 THE INFORMATION CONTAINED IN THIS DRAWING IS THE SOLE PROPERTY OF COOLING SYSTEMS & FLEXIBLES. ANY REPRODUCTION IN PART OR AS A WHOLE WITHOUT THE WRITTEN PERMISSION OF COOLING SYSTEMS & FLEXIBLES IS PROHIBITED.

SIZE B	DWG. NO. CSF 8374	REV 1
SCALE: 1:5	WEIGHT:	SHEET 1 OF 1

B

B

A

A