

4

3

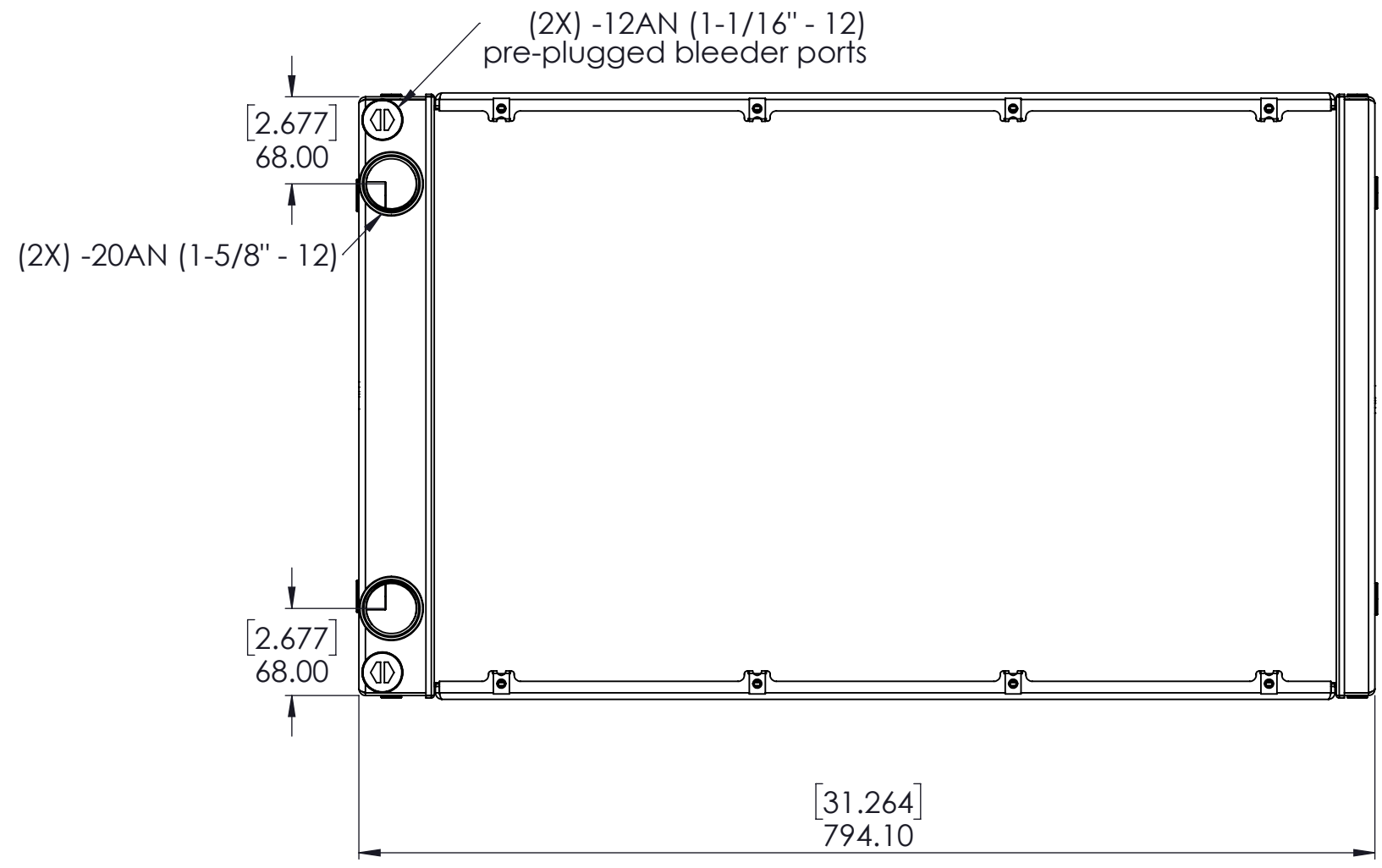
2

1

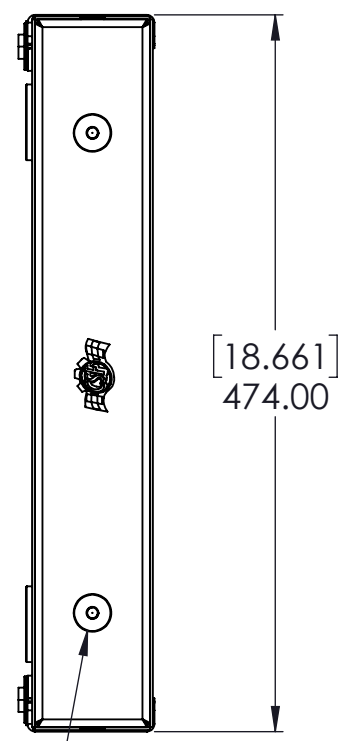
NOTES:

- Each end tank has a total of 4 mounting bosses.
- Each side of the core has mounting tabs for a fan shroud.

B

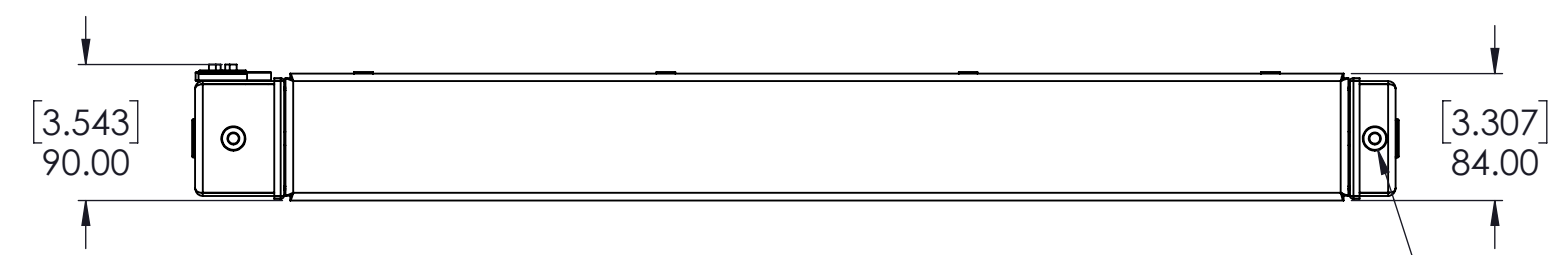


B



(2X) M8 x 1.25 Mounting Bosses

A



A

(2X) M8 x 1.25 Mounting Bosses



PROPRIETARY AND CONFIDENTIAL
 THE INFORMATION CONTAINED IN THIS DRAWING IS THE SOLE PROPERTY OF COOLING SYSTEMS & FLEXIBLES. ANY REPRODUCTION IN PART OR AS A WHOLE WITHOUT THE WRITTEN PERMISSION OF COOLING SYSTEMS & FLEXIBLES IS PROHIBITED.

SIZE B	DWG. NO. CSF 8378	REV 1
SCALE: 1:5	WEIGHT:	SHEET 1 OF 1

4

3

2

1